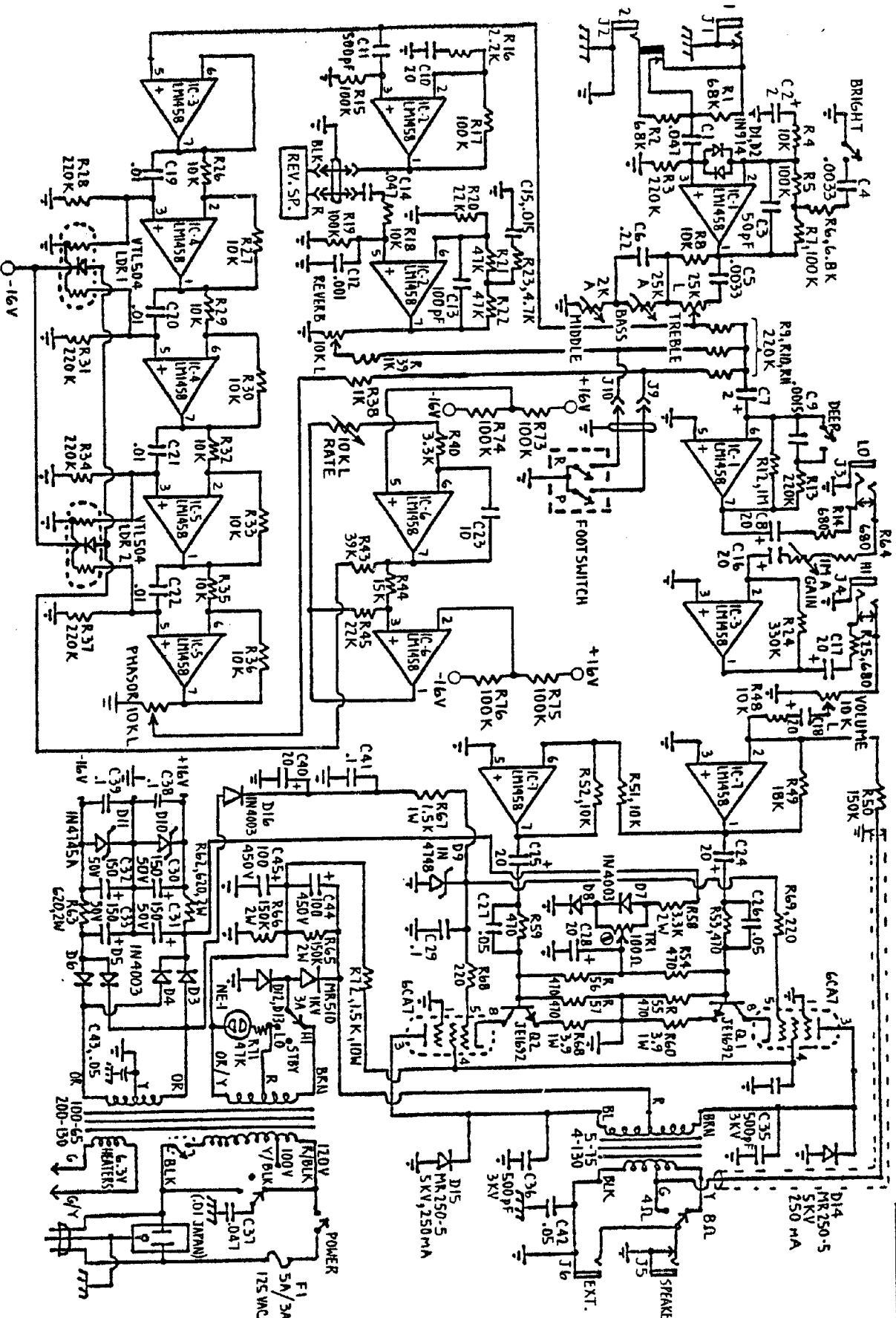




Amplifier Schematics

Chassis Numbers: 2165-RP and 2100-RP

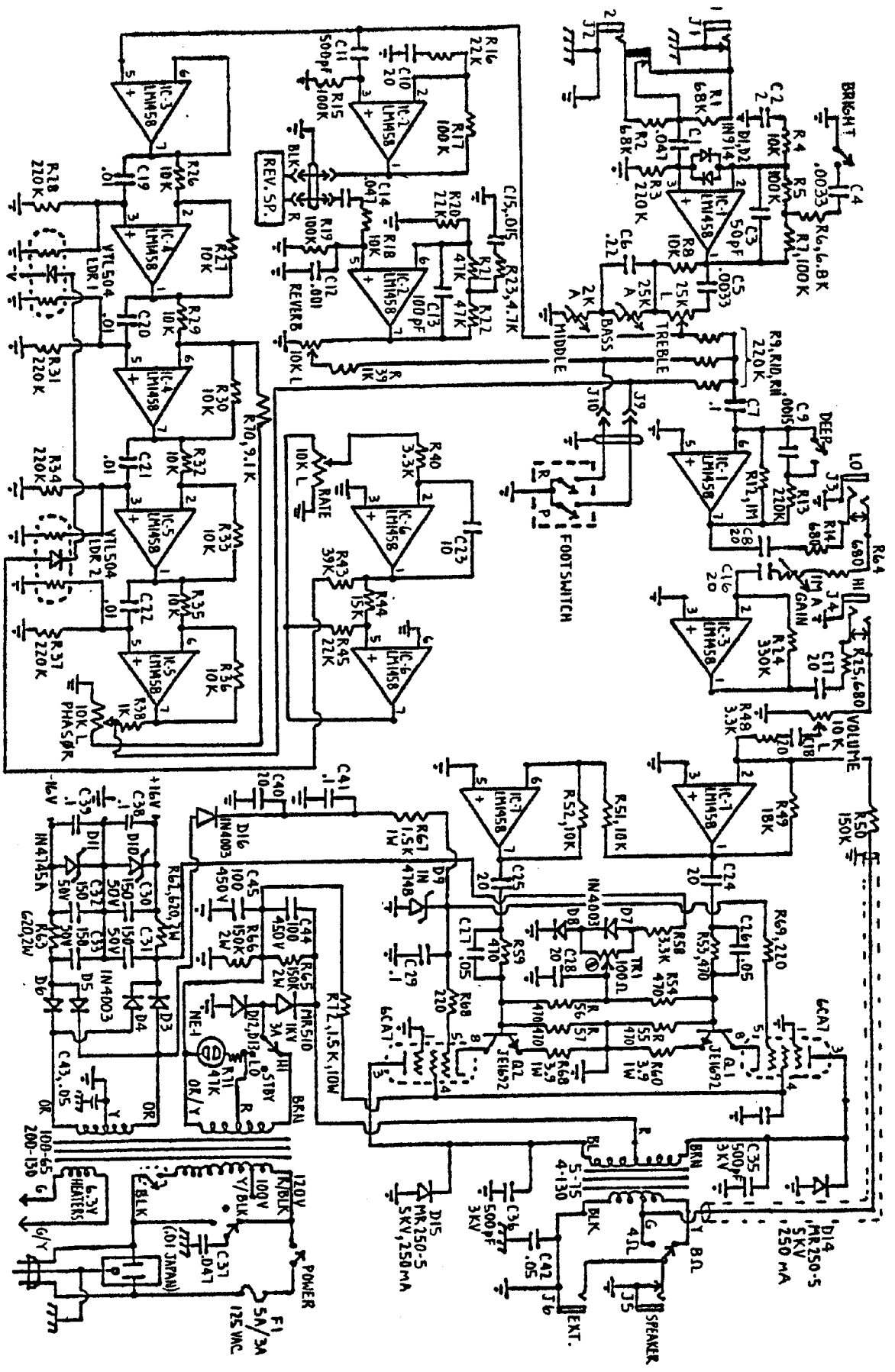


CHASSIS № 2165-RP & 2100-RP
(P.C. BOARD GP-1)

MUSIC MAN INC.
ANAHEIM, CA.

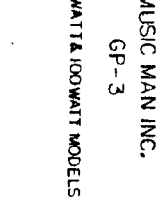
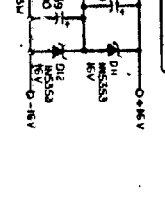
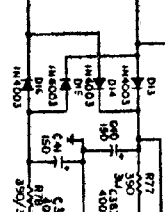
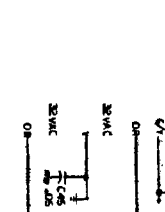
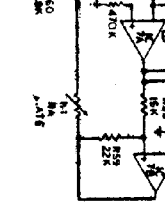
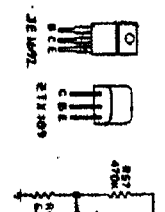
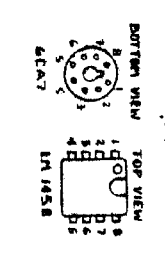
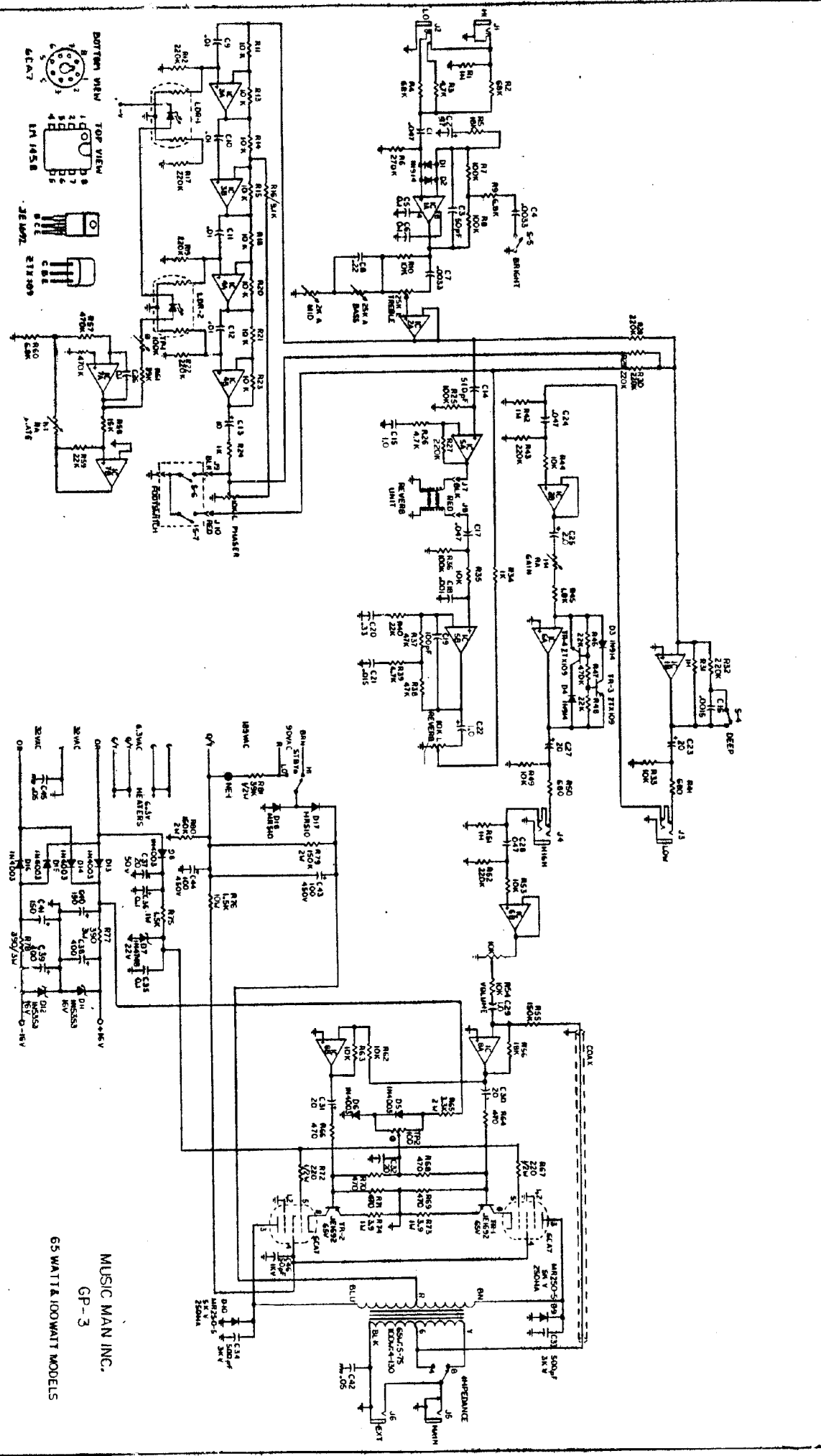
REVISIONS

R48, R49	WAS 3.3K	IS R49 WAS
R22, R3	WAS 100K	DELETED
R1K	2M	& 1.5K
RESISTORS		
ADD	D16, C19, C41, R67	

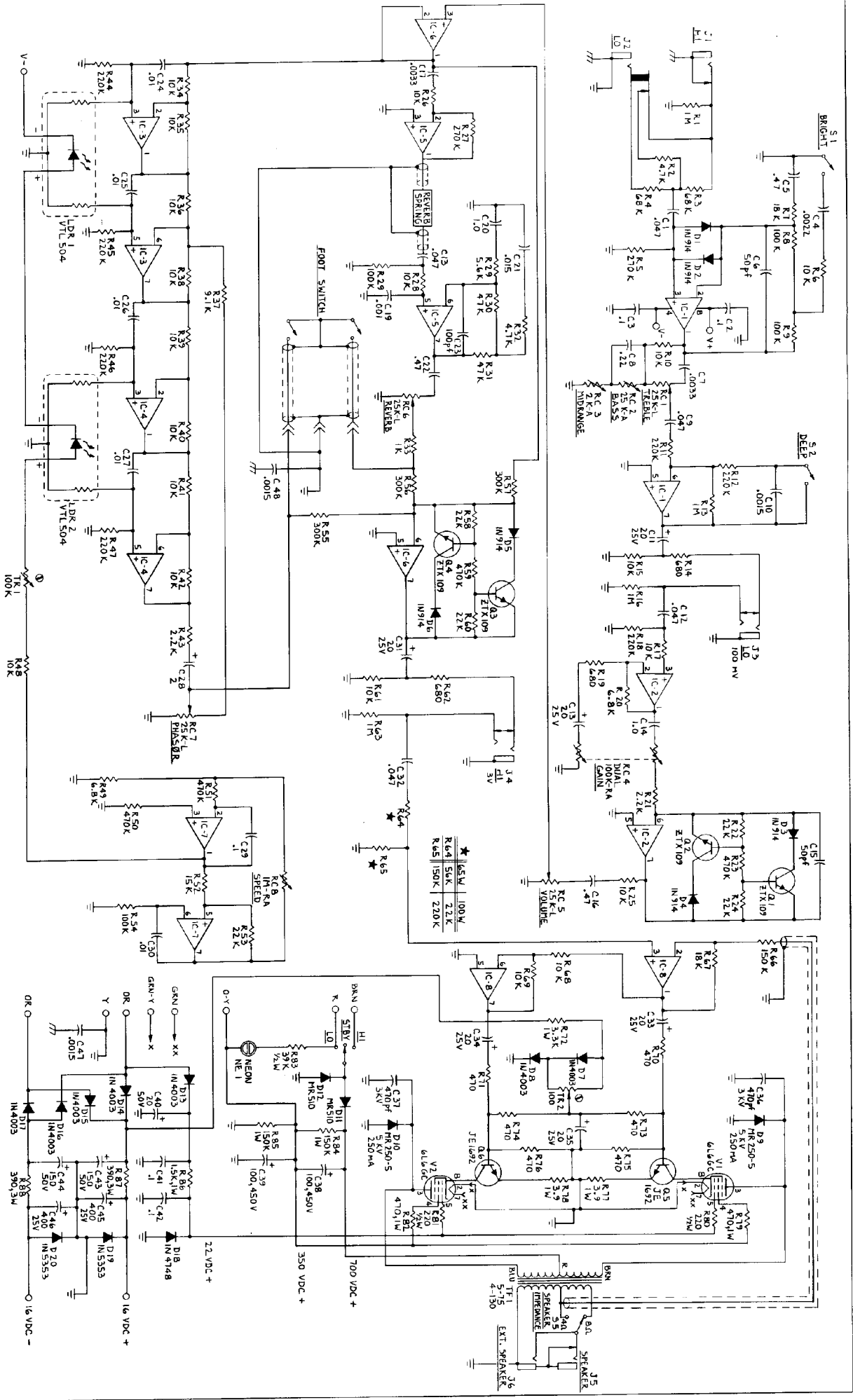


CHASSIS NO 2165-RP & 2100-RP
(P.C. BOARD GP-2)

MUSIC MAN INC.
ANAHUETIN, CA.



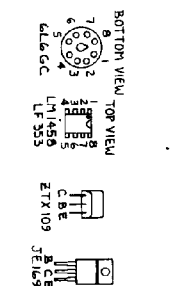
MUSIC MAN INC.
 GP-3
 65 WATT & 100 WATT MODELS



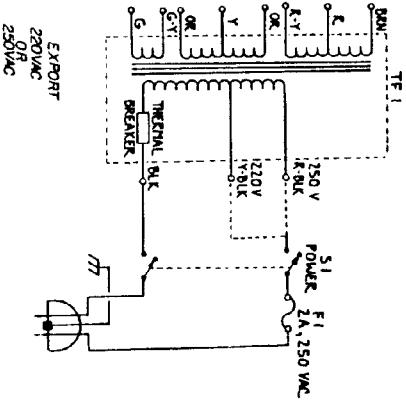
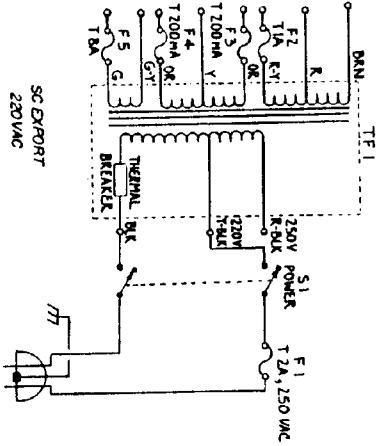
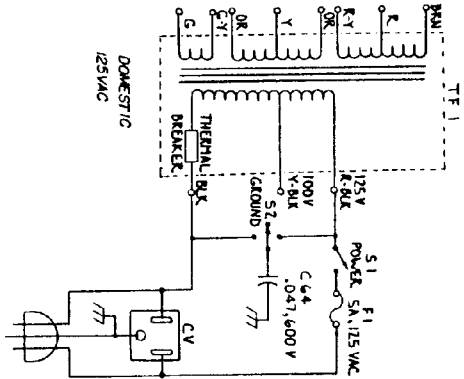
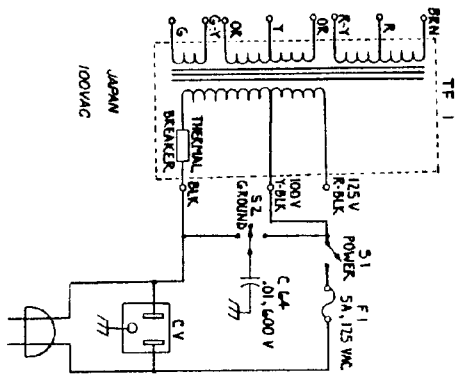
NOTE: 1. ALL RESISTANCE VALUES ARE IN OHMS (Ω) EXCEPT WHERE NOTED.

2. ALL CAPACITANCE VALUES ARE IN MICROFARADS (μF) EXCEPT WHERE NOTED.

3. IC'S 1,2,5,6 ARE LF 353. ALL OTHERS ARE LM 1458.



DESIGNED BY	SCHEMATIC DIAGRAM
DESIGNED	RP AMPLIFIER GP-3A
APPROVED	DATE 6-001
REV.	SHEET 1 OF 1



T.F. I PART NUMBERS
 100-65 — 6.5 W, 75 W, 100-125 VAC
 100-65-250 — 6.5 W, 75 W, 220-250 VAC
 200-130 — 100 W, 150 W, 100-115 VAC
 200-130-250 — 100 W, 150 W, 220-250 VAC

POWER TRANSFORMER DIAGRAM

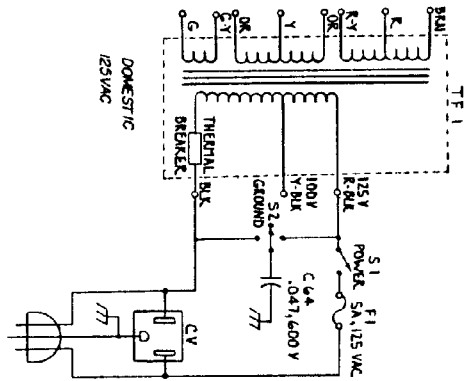
MUSIC MAN INC.

ANN ARBOR, MI

5002

RD and RP 65 and 100 SERIES PARTS LIST

- Output Transformer- 65 Watt
- Output Transformer- 100 Watt
- Power Transformer - 65 Watt
- Power Transformer - 100 Watt
- Tubes 6L6
- Tubes 6CA7 (older models)
- Tube socket, 8 pin
- Filter cover
- Pilot light assembly
- Control knob- black- 0-10
- Fuse 3A 125V- S10-b10
- Fuse cap (push type)
- Fuseholder (screw-in type)
- Switch, toggle SPST (standby)
- Switch, toggle SPST (power)
- Control, /00R RA (gain)
- Diode IN 4748
- Diode HV 50
- Diode IN 5353 (replaces MR250-5)
- Diode MR 510
- Transistor ZTX 109
- Transistor JH 1692 (2N6292)
- IC TL072 (LF-353)
- IC MC1 4053B
- IC MC 1458
- IC MC 4016B
- Reverb Pan
- Reverb input transducer
- Reverb output transducer
- Speaker 10" G/HD
- Speaker 10" Electro-Voice
- Speaker 12" C12G
- Speaker 12" Electro-Voice
- Speaker 15" Electro-Voice



POWER TRANSFORMER DIAGRAM

FORM 4-1-60

MUSIC MAN INC.

ANN ARBOR, MI

500Z