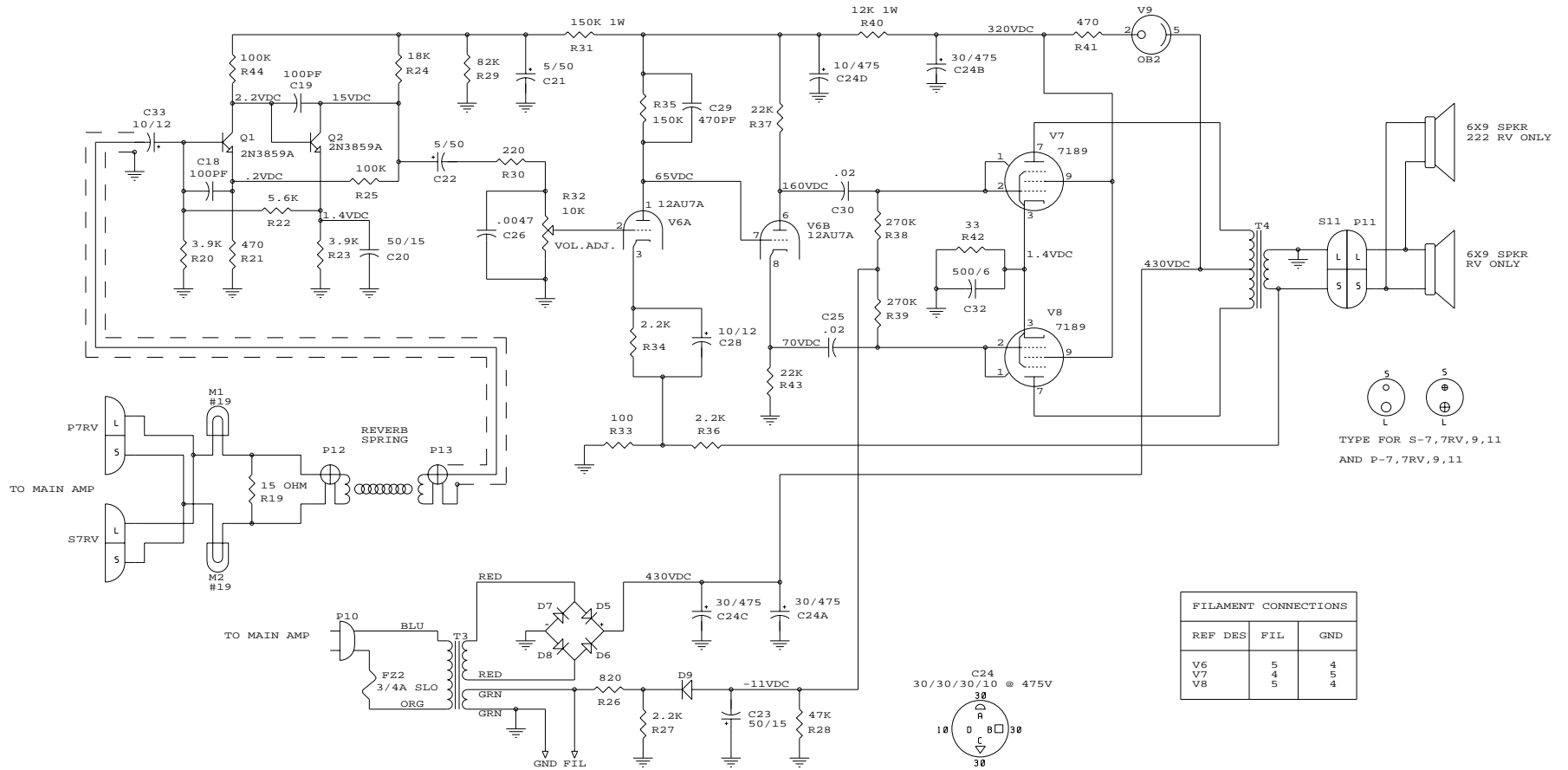
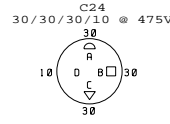


REVERB AMPLIFIER



TYPE FOR S-7,7RV,9,11
AND P-7,7RV,9,11

FILAMENT CONNECTIONS			
REF	DES	FIL	GND
V6		5	4
V7		4	5
V8		5	4



Title			
117V TYPE 122 ROTOR AND REVERB AMPLIFIERS			
Size	Document Number	REV	
B	-----	1.0	
Date:	March 9, 1995	Sheet	2 of 2